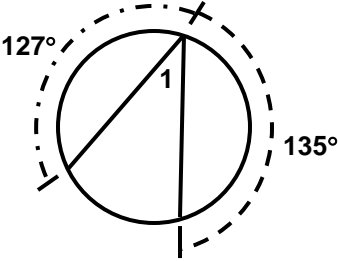
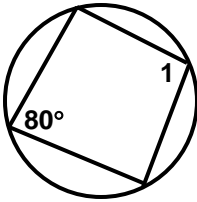
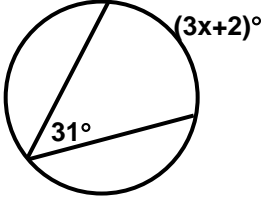
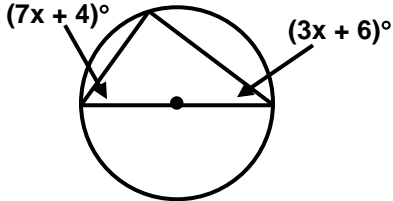


NAME \_\_\_\_\_ DATE \_\_\_\_\_ PER. \_\_\_\_\_

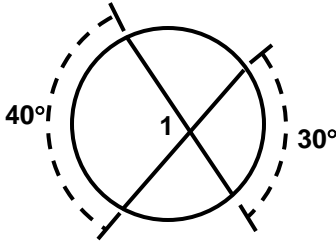
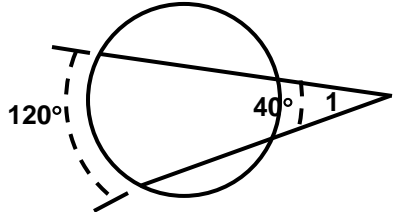
REVIEW #16: Circles & Angles

**PART 1: CIRCLES & ANGLES**

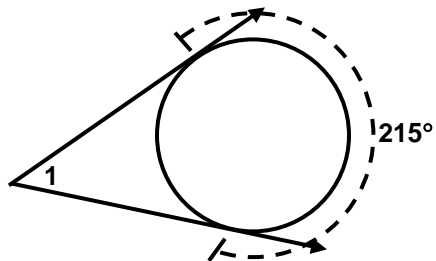
Find the indicated measure for each of the following.

<p>1. <math>m\angle 1 =</math> _____</p>	<p>Find the <math>m\angle 1</math>.</p> 
<p>2. <math>m\angle 1 =</math> _____</p>	<p>Find the <math>m\angle 1</math>.</p> 
<p>3. <math>x =</math> _____</p>	<p>Find the value of 'x'.</p> 
<p>4. <math>x =</math> _____</p>	<p>Find the value of 'x'.</p> 

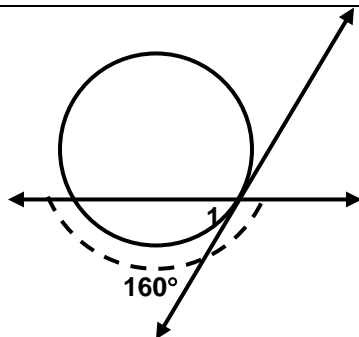
Find the  $m\angle 1$  for each of the following.

<p>5. <math>m\angle 1 =</math> _____</p>	
<p>6. <math>m\angle 1 =</math> _____</p>	

7.  $m\angle 1 =$  \_\_\_\_\_

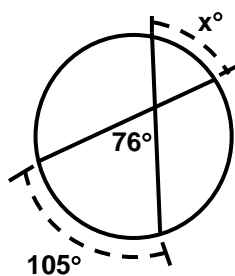


8.  $m\angle 1 =$  \_\_\_\_\_

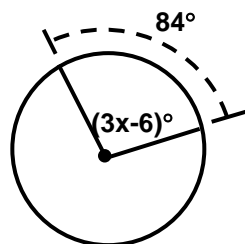


Find the indicated measure.

9.  $x =$  \_\_\_\_\_

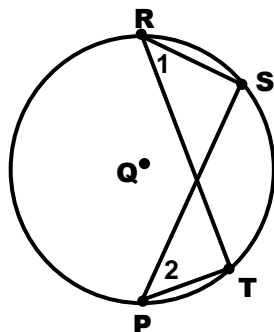


10.  $x =$  \_\_\_\_\_



11. \_\_\_\_\_

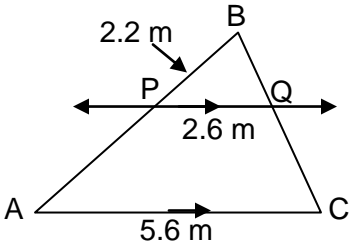
$m\angle 1 = (2x + 5)^\circ$  and  $m\angle 2 = (6x - 3)^\circ$ . Find  $m\widehat{ST}$ .



12. $m\angle 1 =$ _____	
13. $m\angle 1 =$ _____	
14. $x =$ _____	

$\overleftrightarrow{AB}$  is tangent to circle O.  $\overline{AF}$  is a diameter.  $m\widehat{AG} = 100^\circ$ ,  $m\widehat{CE} = 30^\circ$  and  $m\widehat{EF} = 25^\circ$ . Find each of the following.

15. $m\angle 1 =$ _____	
16. $m\angle 2 =$ _____	
17. $m\angle 3 =$ _____	
18. $m\angle 4 =$ _____	
19. $m\angle 5 =$ _____	
20. $m\angle 6 =$ _____	
21. $m\angle 7 =$ _____	22. $m\angle 8 =$ _____

23. _____	To the nearest tenth, what is AP?	
24. _____	Shanna is 5 feet 9 inches tall. To find the height of a tree, she measured her shadow and the tree's shadow. Her shadow was 8 feet long when the tree's shadow was 30 feet long. To the nearest foot, how tall is the tree?	
25. _____	To the nearest hundredth, what is the area of a sector of a circle of radius of 9 meters if the central angle is $50^\circ$ ?	
26. _____	The lengths of two adjacent sides of a parallelogram are $(2x - 10)$ and $(x + 10)$ . What is the perimeter of the parallelogram?	
27. _____	An arc in a circle with a radius of 15 meters measures $48^\circ$ . What is the arc length to the nearest tenth?	
28. _____	The radius and height of a cylinder are multiplied by 5. What is the effect on the volume?	