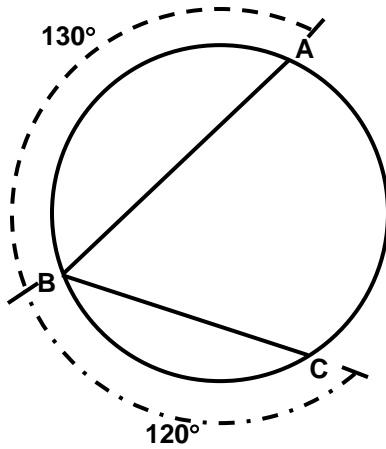
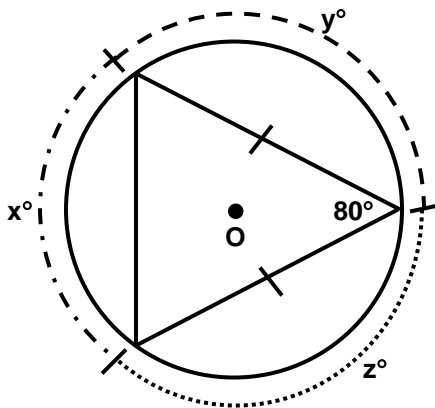


TOPIC 17-3: MORE ANGLES

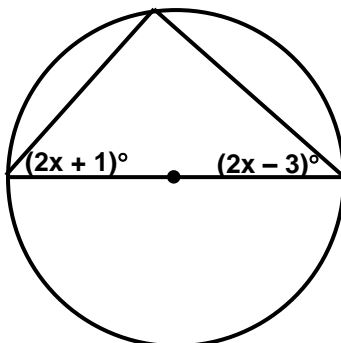
EXAMPLE 1: Find $m\angle ABC$.



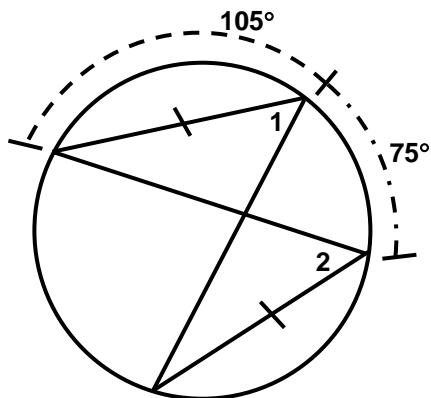
EXAMPLE 2: Find the values of 'x', 'y', and 'z'.



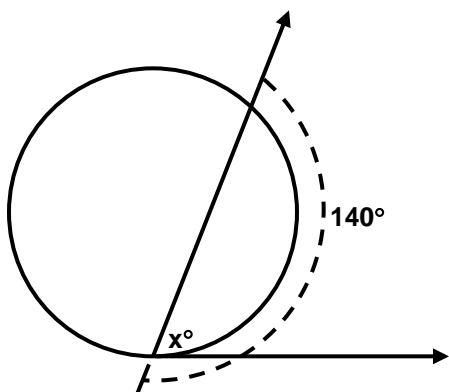
EXAMPLE 3: Find the value of 'x'.



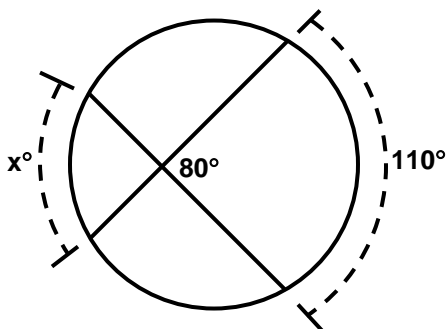
EXAMPLE 4: Find the $m\angle 1$ and $m\angle 2$.



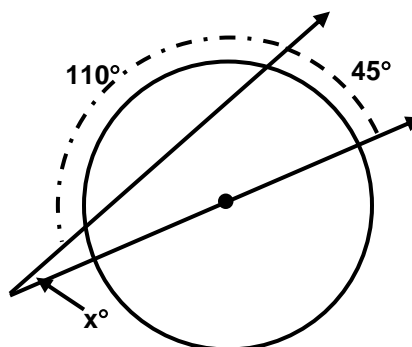
EXAMPLE 5: Find the value of 'x'.



EXAMPLE 6: Find the value of 'x'.



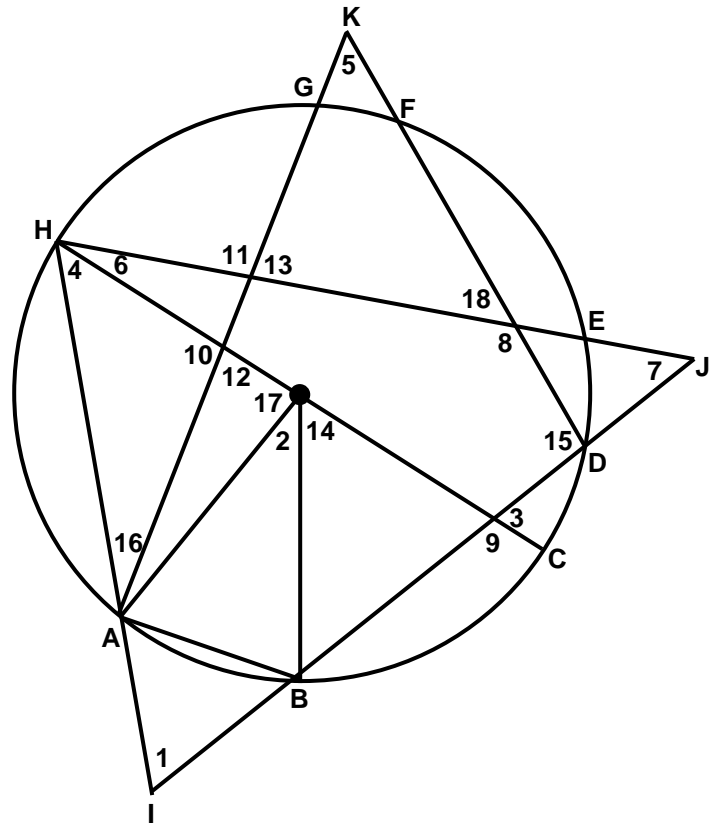
EXAMPLE 7: Find the value of 'x'.



NOW YOU TRY (May work with a Partner)

\overline{HC} is a diameter. $\widehat{HA} = 83^\circ$, $\widehat{BC} = 50^\circ$, $\widehat{HD} = 135^\circ$, $\widehat{GF} = 32^\circ$, $\widehat{HG} = 45^\circ$, and $\widehat{FE} = 55^\circ$. Find the measures of the following angles.

$m\angle 1 =$ _____
$m\angle 2 =$ _____
$m\angle 3 =$ _____
$m\angle 4 =$ _____
$m\angle 5 =$ _____
$m\angle 6 =$ _____



$m\angle 7 =$ _____	$m\angle 8 =$ _____	$m\angle 9 =$ _____
$m\angle 10 =$ _____	$m\angle 11 =$ _____	$m\angle 12 =$ _____
$m\angle 13 =$ _____	$m\angle 14 =$ _____	$m\angle 15 =$ _____
$m\angle 16 =$ _____	$m\angle 17 =$ _____	$m\angle 18 =$ _____