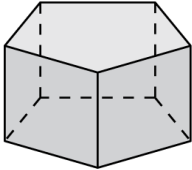
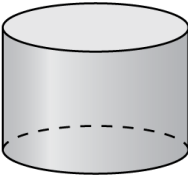
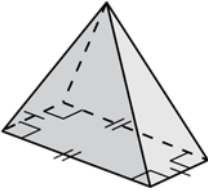
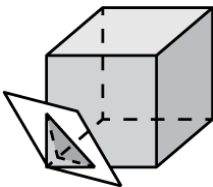
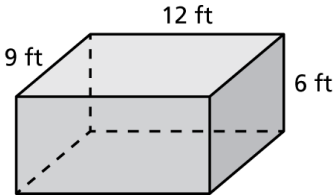
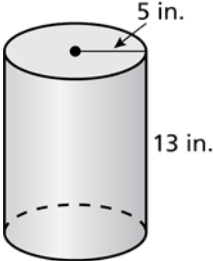
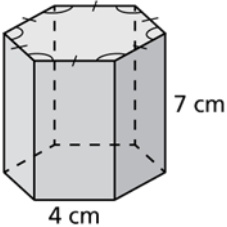


NAME \_\_\_\_\_ DATE \_\_\_\_\_ PER. \_\_\_\_\_

### Polyhedron Activity

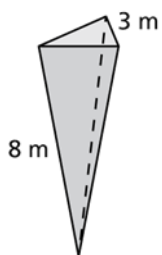
Name the polyhedron.

<p>1. _____</p> 	<p>2. _____</p> 	<p>3. _____</p> 
---	---	---

<p>4. _____</p>	<p>Describe the cross section formed by the intersection of the plane and the solid.</p> 
<p>5. LA = _____</p> <p>TA = _____</p>	
<p>6. LA = _____</p> <p>TA = _____</p>	
<p>7. LA = _____</p> <p>TA = _____</p>	

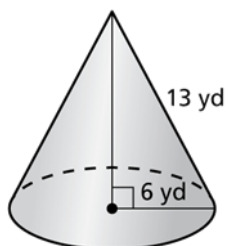
8. LA = \_\_\_\_\_

TA = \_\_\_\_\_



9. LA = \_\_\_\_\_

TA = \_\_\_\_\_



10. \_\_\_\_\_

The tent shown has fabric covering all four sides and the floor. What is the minimum amount of fabric needed to construct the tent?

