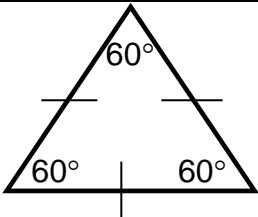
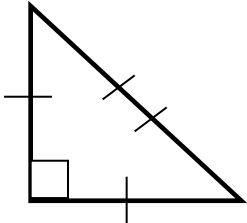
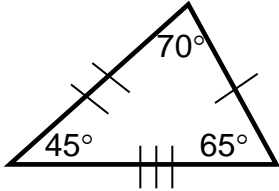


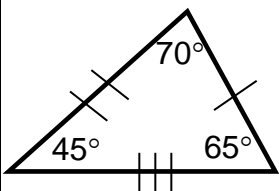
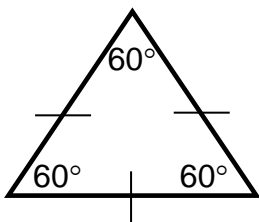
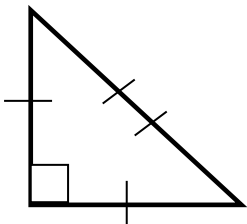
NAME _____ DATE _____ PER. _____

TRIANGLE BASICS

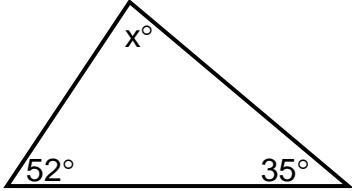
Classify each triangle by the length of its *SIDES*.

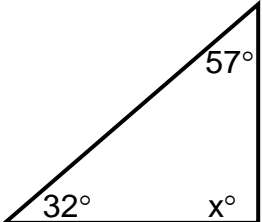
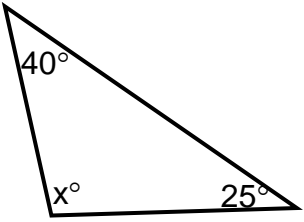
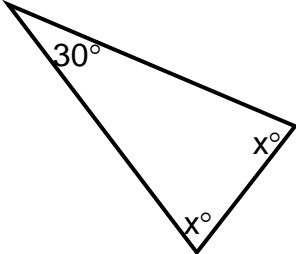
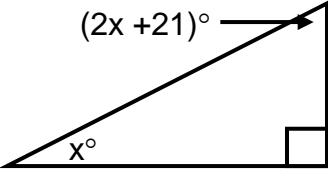
<p>1. _____</p>	
<p>2. _____</p>	
<p>3. _____</p>	

Classify each of the following triangles by its *ANGLES*.

<p>4. _____</p>	
<p>5. _____</p>	
<p>6. _____</p>	

Find the missing angle(x) in each of the following.

<p>7. _____</p>	
-----------------	---

8. _____	
9. _____	
10. _____	
11. _____	
12. _____	