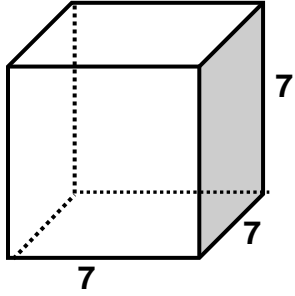
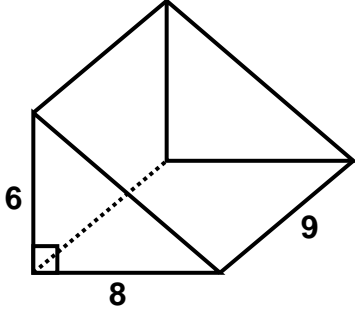


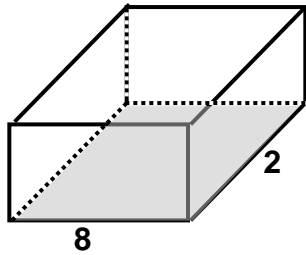
NAME \_\_\_\_\_ DATE \_\_\_\_\_ PER. \_\_\_\_\_

**A#13-5: MORE PRISMS & CYLINDERS**

Name each of the following prisms, then calculate its Lateral Area, Total Area, and Volume.

<p>1. Name: _____</p> <p>LA = _____</p> <p>TA = _____</p> <p>V = _____</p>	
<p>2. Name: _____</p> <p>LA = _____</p> <p>TA = _____</p> <p>V = _____</p>	

Answer each problem as indicated.

<p>3. <math>h =</math> _____</p> <p>LA = _____</p> <p>TA = _____</p>	<p>The rectangular prism below has a volume of 64 cubic units. Find its height, Lateral Area, and Total Area.</p> 
<p>4. LA = _____</p> <p>TA = _____</p> <p>V = _____</p>	<p>The base of a rectangular prism has a length of 3 units and a width of 2 units. The height is 5 units. Find the lateral area, total area, and volume of the prism.</p>

<p>5. LA = _____ TA = _____ V = _____</p>	<p>A cylinder has a diameter of 12 centimeters and a height of 4 centimeters. Find the lateral area, total area, and volume of the cylinder.</p>
<p>6. d = _____</p>	<p>A cylinder has a volume of <math>281.25\pi</math> m<sup>2</sup>. If the height is 5 m, what is the length of the diameter?</p>
<p>7. r = _____ TA = _____ V = _____</p>	<p>A cylinder has a lateral surface area of <math>96\pi</math> cm<sup>2</sup>. If the height is 12 cm, find the radius, total area, and volume.</p>
<p>8. _____</p>	<p>You have 4500 cubic centimeters of wax. How many cylindrical candles can you make from the wax if each candle is 15 centimeters tall and has a diameter of 10 centimeters?</p>