

NAME \_\_\_\_\_ DATE \_\_\_\_\_ PER. \_\_\_\_\_

**PRISMS**

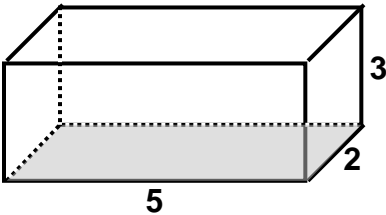
For each of the prisms below, a) name it; b) find its Lateral Area, c) find its Total Area, and d) find its Volume. Work must be shown to receive credit!

1. Name:

a) LA = \_\_\_\_\_

b) TA = \_\_\_\_\_

c) V = \_\_\_\_\_

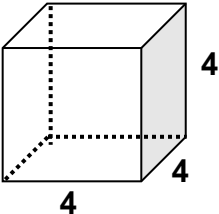


2. Name:

a) LA = \_\_\_\_\_

b) TA = \_\_\_\_\_

c) V = \_\_\_\_\_

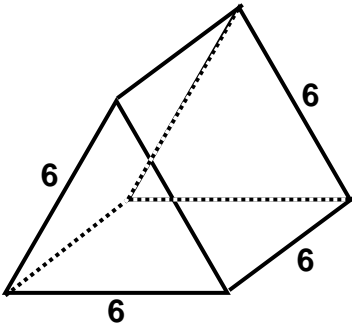


3. Name:

a) LA = \_\_\_\_\_

b) TA = \_\_\_\_\_

c) V = \_\_\_\_\_



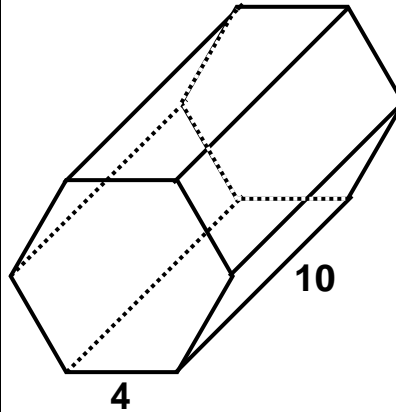
4. Name:

a) LA = \_\_\_\_\_

b) TA = \_\_\_\_\_

c) V = \_\_\_\_\_

*\*The base is a regular hexagon.*

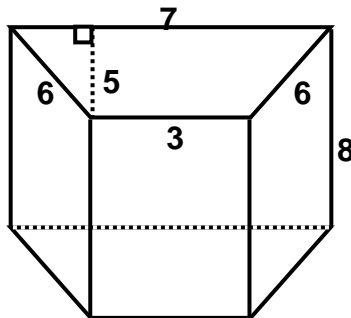


5. Name:

a) LA = \_\_\_\_\_

b) TA = \_\_\_\_\_

c) V = \_\_\_\_\_

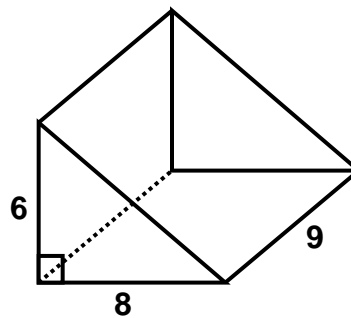


6. Name:

a) LA = \_\_\_\_\_

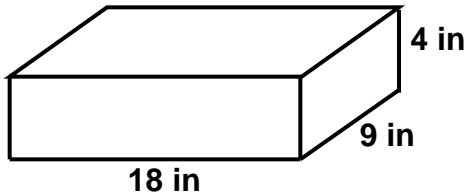
b) TA = \_\_\_\_\_

c) V = \_\_\_\_\_



Find the correct answer for each of the following. Clearly circle or bubble in your answers as necessary. Work must be shown in order to receive credit!

7. Taylor is wrapping a birthday gift in the rectangular box shown below. She wants to cut just one rectangular piece of wrapping paper to cover the box.



What is the area of the smallest piece of paper that Taylor can use to wrap the gift?

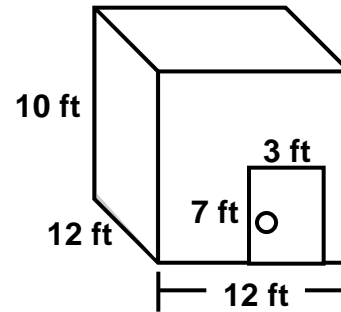
Record your answer and fill in the bubbles on the grid below. Be sure to use the correct place value.

+	•	•	•	•	•	•	•	•
-	0	0	0	0	0	0	0	0
	1	1	1	1	1	1	1	1
	2	2	2	2	2	2	2	2
	3	3	3	3	3	3	3	3
	4	4	4	4	4	4	4	4
	5	5	5	5	5	5	5	5
	6	6	6	6	6	6	6	6
	7	7	7	7	7	7	7	7
	8	8	8	8	8	8	8	8
	9	9	9	9	9	9	9	9

8. The area of the base of a prism is  $6x$  square inches, and the height of the prism is  $3.5x$  inches. If the prism has a volume of 3,024 cubic inches, what is the value of 'x'?

- A.  $x = 8.5$
- B.  $x = 15$
- C.  $x = 10.5$
- D.  $x = 12$

9. Frank wants to paint his room in the school colors of maroon and white. The floor and ceiling will be white, and all the walls will be maroon. The door will also be white.



If one gallon of paint covers 400 sq ft, how many gallons of each color will he need?

- A. 1 gallon white, 1 gallon maroon
- B. 1gallon white, 2 gallons maroon
- C. 2 gallons white, 2 gallons maroon
- D. 2 gallons white, 3 gallons maroon

10. A cube has a side of 7 centimeters. Find the number of square centimeters in the total surface area.

Record your answer and fill in the bubbles on the grid below. Be sure to

+	•	•	•	•	•	•	•	•
-	0	0	0	0	0	0	0	0
	1	1	1	1	1	1	1	1
	2	2	2	2	2	2	2	2
	3	3	3	3	3	3	3	3
	4	4	4	4	4	4	4	4
	5	5	5	5	5	5	5	5
	6	6	6	6	6	6	6	6
	7	7	7	7	7	7	7	7
	8	8	8	8	8	8	8	8
	9	9	9	9	9	9	9	9