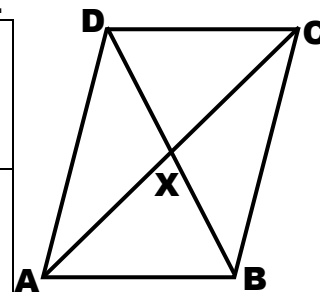


NAME _____ DATE _____ PER. _____

PARALLELOGRAMS

Answer the following questions regarding the parallelogram below.



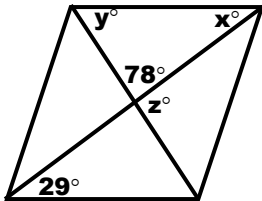
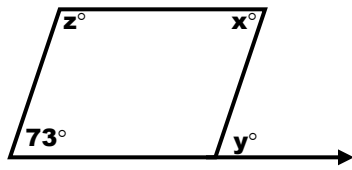
1) _____	Name the parallelogram.
2) _____	If $AD = 10$, then $BC = _? _$
3) _____	If $AC = 15$, then $AX = _? _$
4) _____	If $m\angle CDA = 111^\circ$, then $m\angle ABC = _? _$
5) _____	If $m\angle DAB = 69^\circ$, then $m\angle ABC = _? _$

Find the values indicated.

6) _____	If LMNO is a parallelogram, and $LM = 2y - 9$ and $NO = y - 2$, find LM.
7) _____	RSTV is a parallelogram. \overline{RT} and \overline{SV} intersect at Q. $RQ = 5x + 1$ and $QT = 3x + 15$. Find QT.

<p>8) _____</p>	<p>RATS is a parallelogram. $m\angle S = (8x)^\circ$ and $m\angle T = (7x)^\circ$, then find $m\angle R$.</p>
-----------------	--

If each quadrilateral is a parallelogram, find the values indicated.

<p>9) $x =$ _____ $y =$ _____ $z =$ _____</p>	
<p>10) $x =$ _____ $y =$ _____ $z =$ _____</p>	

Name the 5 Properties of a Parallelogram.

- 1.) _____
- 2.) _____
- 3.) _____
- 4.) _____
- 5.) _____